

Product Notes

1. This product must be installed by a licensed electrician and used as per these instructions.
2. This product contains no serviceable parts and no attempt should be made to repair this product. If the product is faulty it should be discarded.
3. This product must be cleaned periodically with a damp cloth. Cleaning agents and solvents should never be used.
4. This product has been designed to operate in ambient temperatures between 5°C to 40°C.
5. This product must be securely attached to a structural member for support. Fixing means (hooks & brackets) must be fixed to the structural member with sufficient strength to withstand 4 times the weight of the ceiling fan.
6. During installation the mains supply wiring terminals should be tightened between 0.4Nm and 0.6Nm. Over-tightening may damage the terminal. Under-tightening may result in hot joints.
7. This product is for Indoor use only. This product is not intended to be exposed to direct weathering. It is not suitable for installation in hazardous and/or corrosive areas. It is not suitable for marine environments such as areas subjected to salt spray and/or mist.
8. This product is not intended for use by young children or infirm persons without supervision. Young children should be supervised to ensure that they do not play with the appliance.
9. Extended exposure to UV rays (such as exposure to direct sunlight) may cause discolouration of this product.
10. The material in this product may vary in colour from batch to batch. Colour matching from one batch to another cannot be guaranteed.
11. This product has been designed to operate on a nominal supply voltage of 230V - 240 V a.c. 50Hz.
12. After installation this product must be tested as required by the appropriate government and/or statutory regulations.
13. This product utilises intellectual property in the form of registered designs, trademarks, and/or patents. Such intellectual property remains the property of Legrand in all cases.
14. Legrand reserves the right to modify the specification of this product at any time.

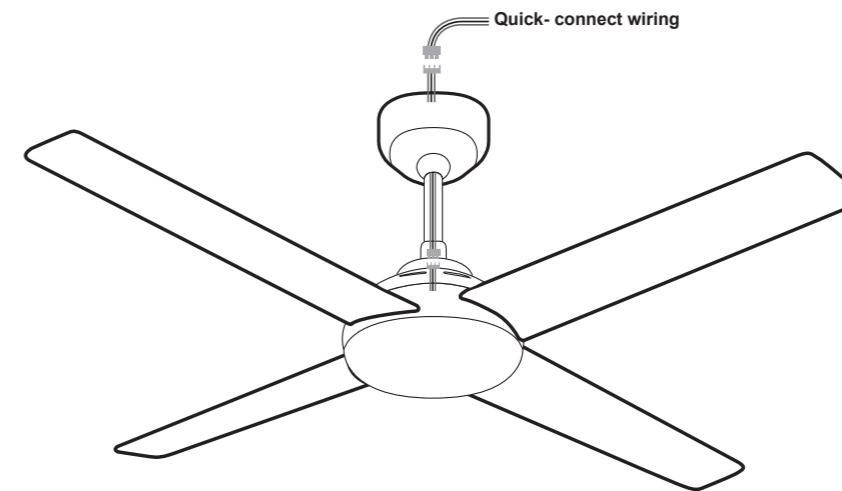
Inspire Ceiling Fans		Weight
RCF12H4WE	Inspire Ceiling Fan Plywood, 4 Blades, 1220 mm, 48", Hangsure - White	5.6 kg
RCF12H4BL	Inspire Ceiling Fan Plywood, 4 Blades, 1220 mm, 48", Hangsure - Black	5.6 kg
RCF12H4BS	Inspire Ceiling Fan Plywood, 4 Blades, 1220 mm, 48", Hangsure - Silver	5.6 kg



Inspire Ceiling Fan Plywood

Cat. No: RCF12H4WE, RCF12H4BL, RCF12H4BS

Instruction Sheet 4-Blade Models



Box Contents

- Motor assembly
- 4 blades
- 3-speed fan controller
- Mounting Bracket
- 2 x screws and lugs for bracket
- 12 x screws for blades
- Cover plate and screws
- Instruction Sheet

Specifications

Motor	50 W
-------	------

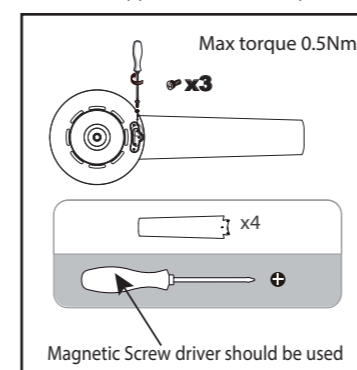
PLEASE READ ALL INSTRUCTIONS CAREFULLY. RETAIN FOR FUTURE REFERENCE. INSTALLATION MUST BE CARRIED OUT BY A LICENSED ELECTRICAL CONTRACTOR.

Important considerations

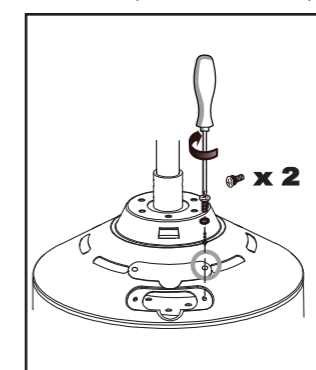
1. The Hang-sure style is suitable for both flat and inclined ceilings (up to maximum angle of 20°).
2. This fan has been supplied with a 3-speed fan controller. It is designed to operate a single fan only.
3. The fan is to be installed so that the fan blades are more than 2.1m above floor level. Fan blades should have clearances >300mm from any obstacles.
4. During installation a switch disconnection should be incorporated in the supply circuit (switch supplied).
5. Cable connectors on the Remote Control kit are not compatible with the connector on the fan and must be manually terminated (If installing HPM Remote Control kit).
6. Blades provided are paired for individual fan and must not be mixed with blades from other fans. This may affect performance and cause vibration/wobble. If unusual oscillating movement is observed, stop using the ceiling fan immediately and contact Legrand Australia, its service agent or a suitably qualified person.

1 Fix fan blades to motor assembly

A. Assemble the blades to the motor with the screws supplied (3 x screws per blade).



B. Assemble the cover plate to the motor housing with 2 x screws provided. Max. torque to 0.5 Nm.



Warranty

Legrand warrants this product for a period of 3 years from the date of purchase. These goods come with guarantees that cannot be excluded under the Australian and New Zealand Consumer Laws. You are entitled to a replacement or a refund for a major failure and for compensation for any other reasonably foreseeable loss or damage. You are also entitled to have the goods repaired if the goods fail to be of acceptable quality and the failure does not amount to a major failure.

See the Warranty card enclosed with this product for further details.

Customer Service

For all Customer Service and Technical Support please call Monday to Friday during business hours.

Legrand Australia
1300 369 777
www.hpm.com.au
ABN: 31 000 102 661

Legrand New Zealand
0800 476 009
www.hpm.co.nz



09 / 2022

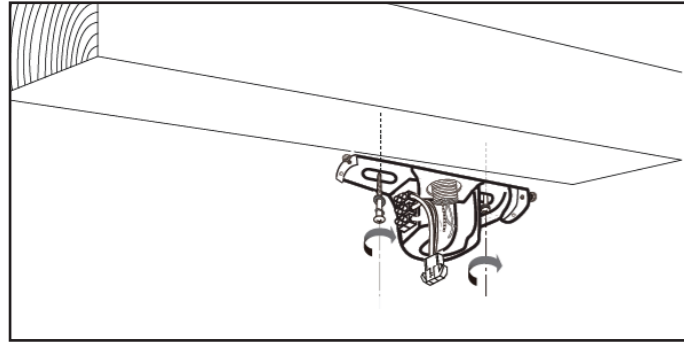
LE11531AH

2 Fixing of mounting bracket to ceiling

Select a suitable location for the fan. Use the 2 coach screws provided (or similar) to make an attachment to a solid structural member. Ensure the mounting method is capable of supporting a hanging weight of 30 kg.

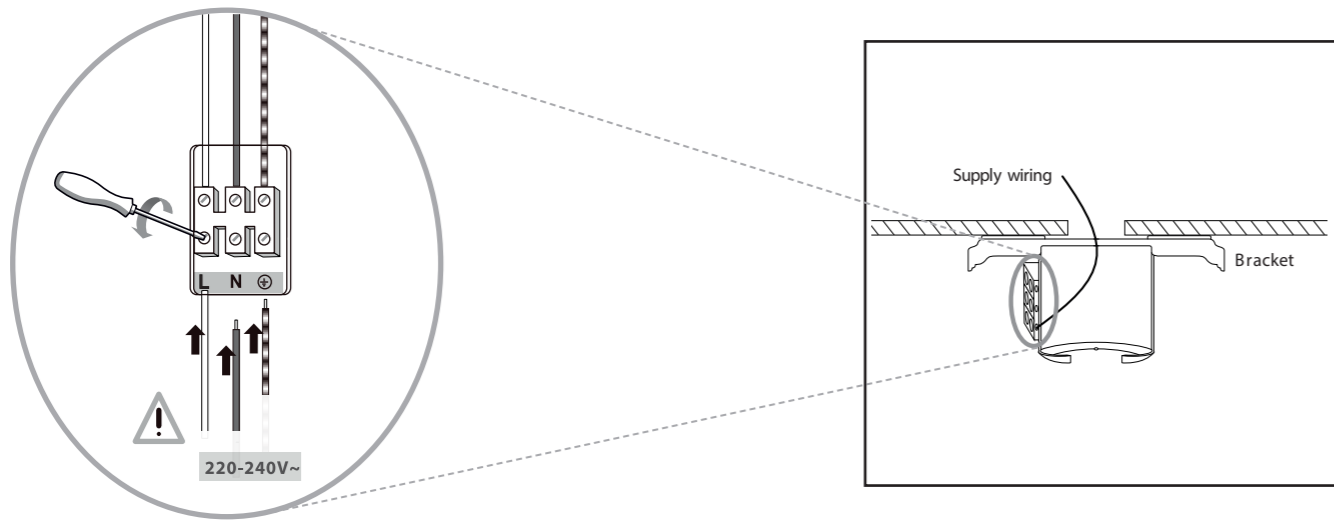
Hang-Sure Mounting

Fix mounting bracket (supplied) firmly to timber or concrete.



3 Supply connection to fan

A. Connect supply wiring to the terminal block provided.

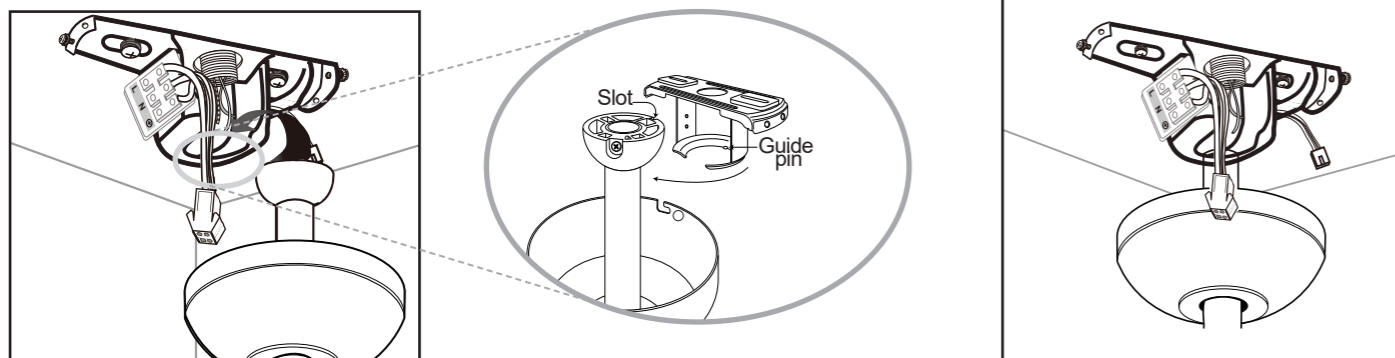


Refer to instructions for Remote Control Kits (CFREMOTEH) for installation and mounting requirements.

4 Hanging the fan on the bracket

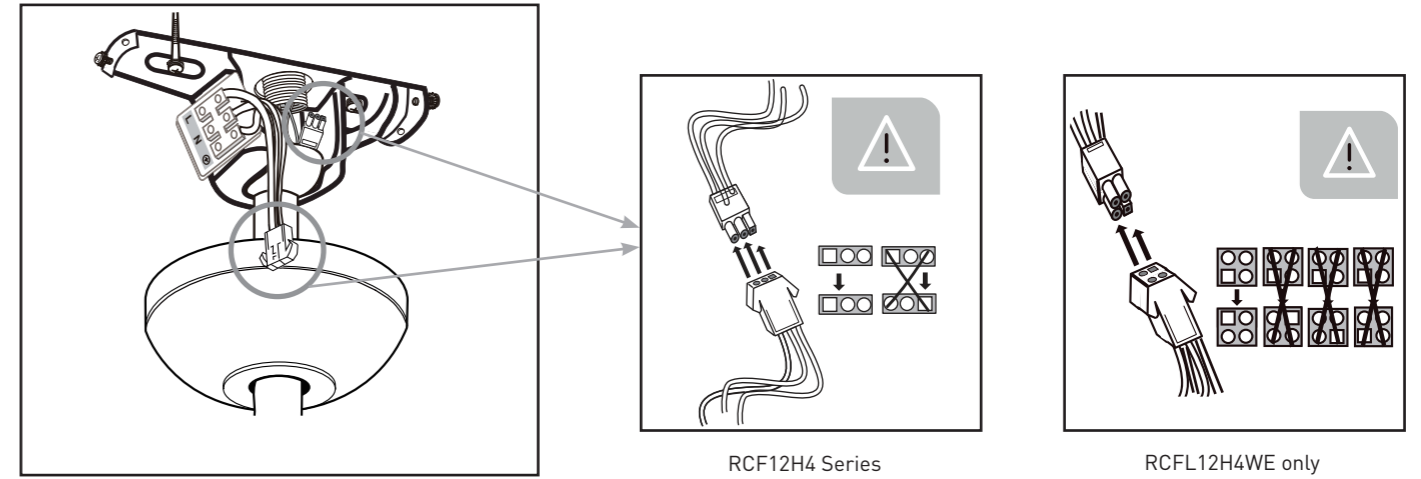
Hang-Sure Bracket

Hang the fan on the bracket. Ensure bracket guide pin is fitted into slot on ball joint and that all wires are clear of the ball joint.



5 Connect the quick connectors

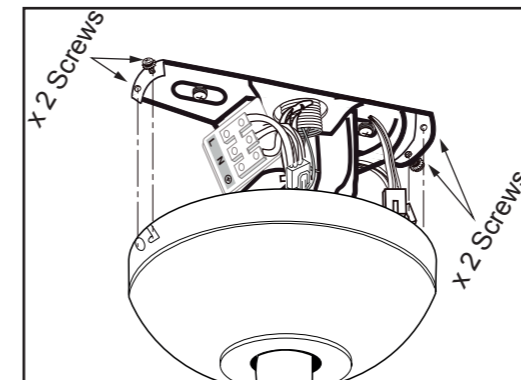
Click the quick connect plug into the socket connector from the fan.



6 Slide upper canopy into position and secure

Hang-Sure Canopy

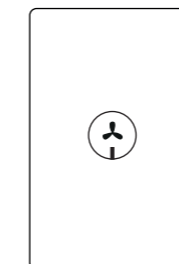
Tighten with 4 screws to the bracket. Make sure wires are not trapped in between.



7 Connecting the speed controller

The HPM ceiling fan comes complete with a capacitive 3-speed controller on a wall plate with standard 84mm fixing centres. Please refer to instructions supplied with the speed controller for installation.

RCF12H4 Series



3 - Speed fan controller (ED3FCWE)

- If intending to use a Remote Control kit (not supplied) then do not mount this wall plate.
- It is recommended to install a wall switch instead.

"IF INSTALLING A REMOTE CONTROL, IT MUST BE INSTALLED IN CONJUNCTION WITH A WALL SWITCH TO ISOLATE POWER."